

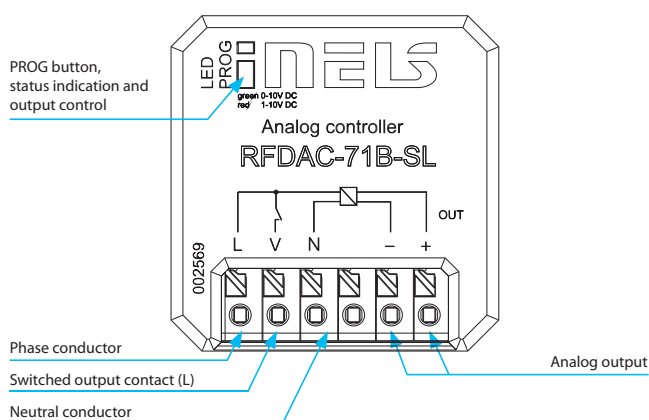


EAN code:
RFDAC-71B: 8595188182676

| Technical parameters | | RFDAC-71B-SL |
|--|--|--|
| Supply voltage: | | 110–230 V AC |
| Supply voltage frequency: | | 50–60 Hz |
| Apparent input: | | 7 VA / $\cos \varphi = 0.1$ |
| Dissipated power: | | 0.7 W |
| Supply voltage tolerance: | | +10/-15 % |
| Control | | |
| Potential-free analog output/max. current: | | 0(1)–10 V/10 mA |
| Rated current: | | 1x AgSnO ₂ , switches the phase conductor |
| Rated current: | | 8 A/AC1 |
| Switching power: | | 2 000 VA/AC1 |
| Switching voltage: | | 250 V AC1 |
| Mechanical service life: | | 3x10 ⁷ |
| Electrical service life: | | 1x10 ⁵ |
| Indication: | | red LED/green LED |
| Output selection: | | 0(1)–10V/PROG button |
| Control | | |
| Wireless: | | up to 25-channels (buttons) |
| Communication protocol: | | RFIO2 |
| Frequency: | | 866–922 MHz (for more information see p. 81) |
| Repeater function: | | yes |
| Manual control: | | button PROG (ON/OFF) |
| Range: | | in open space up to 200 m |
| Minimal control distance: | | 20 mm |
| Other data | | |
| Operating temperature: | | -15 to +50 °C |
| Operating position: | | any |
| Mounting: | | plug into a socket |
| Protection: | | IP40 |
| Overvoltage category: | | III. |
| Contamination degree: | | 2 |
| Terminals (CY wire, cross-section): | | 3 x 0.75 mm ² , 2 x 2.5 mm ² |
| Dimensions: | | 49 x 49 x 21 mm |
| Weight: | | 52 g |
| Related standards: | | EN 60730, EN 63044, EN 300 220, EN 301 489 |

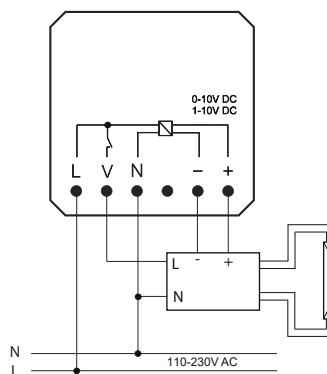
- The device with analog output 0(1)–10 V is used to control devices, luminaires, thermal actuators and thermal heads – which are equipped with such an input.
- They can be combined with detectors, controllers, iNELS Wireless or system components.
- Potential free analog output 0(1)–10 V, contact relay 8 A.
- 7 light functions – smooth increase or decrease with time setting 2 s–30 min. Function description can be found on p. 86.
- The analog controller may be controlled by up to 25-channels.
- The programming button on the controller is also used for manual control of the output.
- Memory status can be pre-set in the event of a power failure.
- Range up to 200 m (in open space), if the signal is insufficient between the controller and unit, use the signal repeater RFRP-20N or protocol component RFIO2 that support this feature.
- The BOX design lets you mount it right in an installation box, a ceiling or light cover.

Device description



Connection

Connection example: dimming of fluorescent tubes with dimmable ballast



Connection example: with thermo valve

