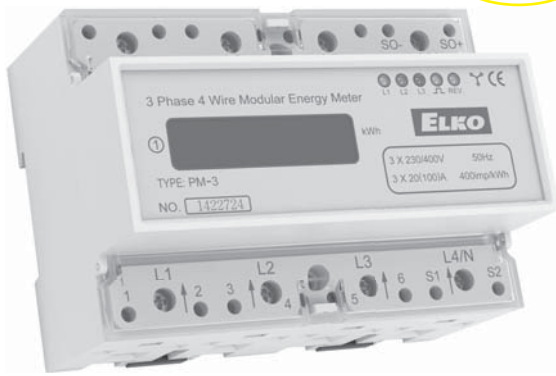


# Three phase energy meter PM-3

NEW!

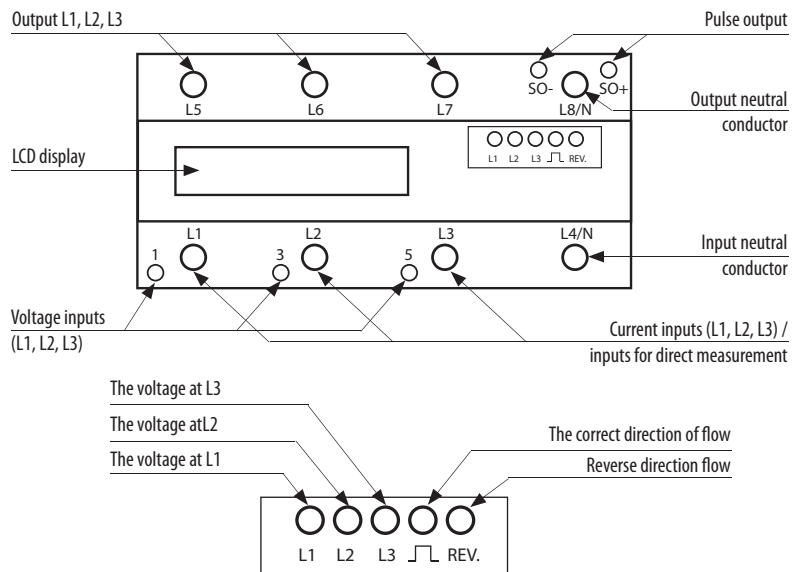


- Simple measuring of consumption of three-phase circuits.
- Display of the total consumption of electricity in kWh with the help of a 5-numerical + 2-decimal place (7-digit) LCD.
- Information on the presence of voltage in individual phases is indicated by three LEDs (see Description). In case that voltages are determined in measuring phases, the LED illuminates.
- Information on the opposite direction of measured current (reverse direction of current) is indicated by an LED specified for this purpose. This LED illuminates in the event of this status.
- Indication of the correct direction of the current, which has already exceed the minimum measured value (starting current) specified by LED. The LED will start flashing in such case of correct measuring.
- The front panel display is used for direct reading of this product. Impulse output is used for remote measuring. In case of indirect measuring, the device does not have the option of conversion settings according to the used current transformer! It is therefore necessary to multiply the read value according to the conversion of used transformers!

EAN code  
PM-3: 8595740518813

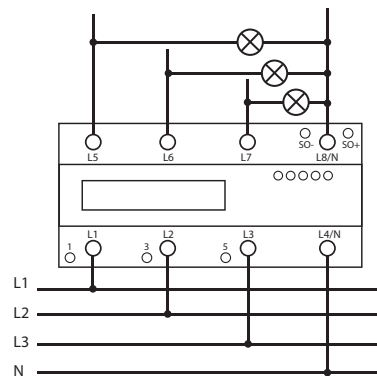
Technical parameters	PM-3	
	Direct measuring	Indirect measuring
Voltage:	3 x 230 V / 400 V 50 Hz	
Voltage tolerance:	-20% up to + 15%	
Input of voltage circuits:	< 2W, < 10 VA - individual circuit	
Input of current circuits:	< 1 VA	
Basic current (Ib):	20 A	
Maximum current of current circuits (Imax)/ recommended ballast (end) protection:	100 A / compact breaker with characteristic C or fuse gL/gG	100 A
Maximum current of voltage circuits (Imax)/ recommended ballast (end) protection:	x	6 A / compact breaker with characteristic B or fuse gL/gG
Starting current:	20 mA	10 mA
Frequency:	50 Hz +/- 10 %	
Accuracy class:	Class 1 - Class 2 - according to the connection type	
Working temperature:	-20°C up to 55°C (-4 up to 131°F)	
Storage temperature:	-30°C up to 75°C (-22 up to 168°F)	
<b>Safety</b>		
Level of protection provided by cover:	IP 20 terminals / IP 40 front panel	
Insulation between internal circuits (interphase):	2 kV / 60 s sin.	
Insulation of front cover from internal circuits:	4 kV / 60 s sin.	
Insulation of impulse output from internal circuits:	2 kV / 60 s sin.	
<b>Pulse output</b>		
External voltage:	+5 VDC up to +50 VDC	
Maximum current:	40 mA	
Length of pulse:	100 ms	
Frequency of pulses:	400 imp / kWh	
<b>Other information</b>		
Display:	LCD - 5 places + 2 decimal places, digits 5 mm	
Device weight:	650 g (22.9 oz)	
Dimensions:	90 x 126 x 75 mm (39.3 x 4.96 x 2.95")	
Design:	7 - MODUL	
Maximum cross section of wires for terminals of current circuits / max. torque:	50 mm <sup>2</sup> / max. 5 Nm (AWG 1)	
Maximum cross section of wires for terminals of voltage circuits / max. torque:	2.5 mm <sup>2</sup> / max. 0.4 Nm (AWG 14)	
Maximum cross section of wires for terminals of impulse output / max. torque:	2.5 mm <sup>2</sup> / max. 0.4 Nm (AWG 14)	

## Description



## Connection

Direct



Indirect

